



# Anemostat® SUBMITTAL

1220 Watson Center Road • Carson, CA 90745-4206  
 (310) 835-7500 • FAX (310) 835-0448  
 air@anemostat.com • www.anemostat.com

## Model **EZT** SINGLE DUCT AIR TERMINAL

STANDARD (C3) & LARGE (C4)  
UNIVERSAL CONTROL COVER

### AIR TERMINALS

#### ENCLOSURE SIZE:

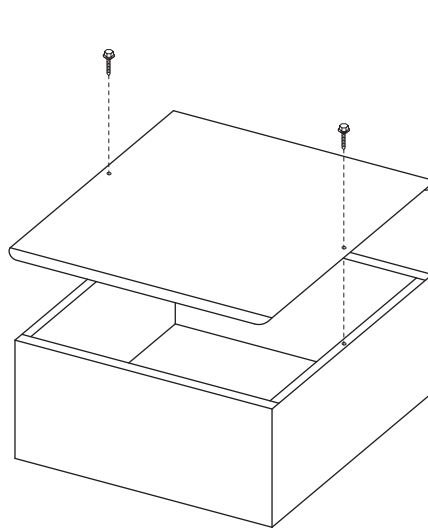
- STANDARD UNIVERSAL (C3)
- LARGE UNIVERSAL (C4)

#### MATERIAL:

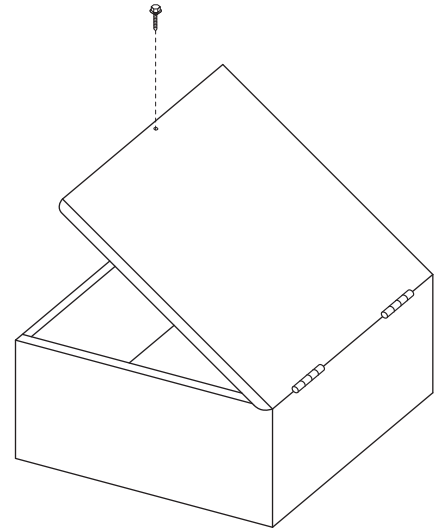
- STEEL, GALVANIZED
- STAINLESS STEEL

#### COVER OPTIONS:

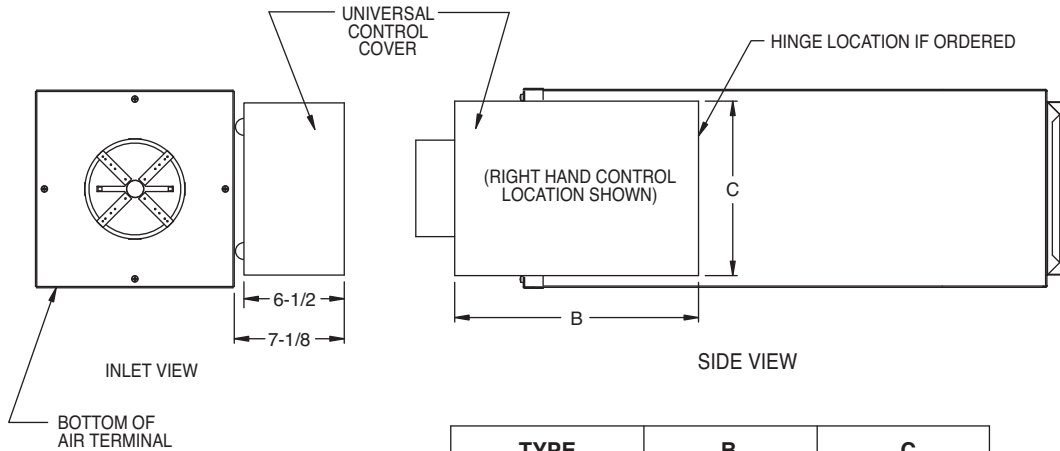
- REMOVABLE COVER (screws)
- HINGED COVER



STANDARD COVER



HINGED COVER



TYPE	B	C
STANDARD (C3)	14-7/32	11-3/32
LARGE (C4)	18-3/32	15-3/32

**NOTE:** THE CONTROL ENCLOSURE POSITION ON THE AIR TERMINAL MAY VARY BASED ON CONTROL COMPONENTS AND THEIR SIZE.

All dimensions are in inches.

JOB NAME:

SUBMITTED BY: