

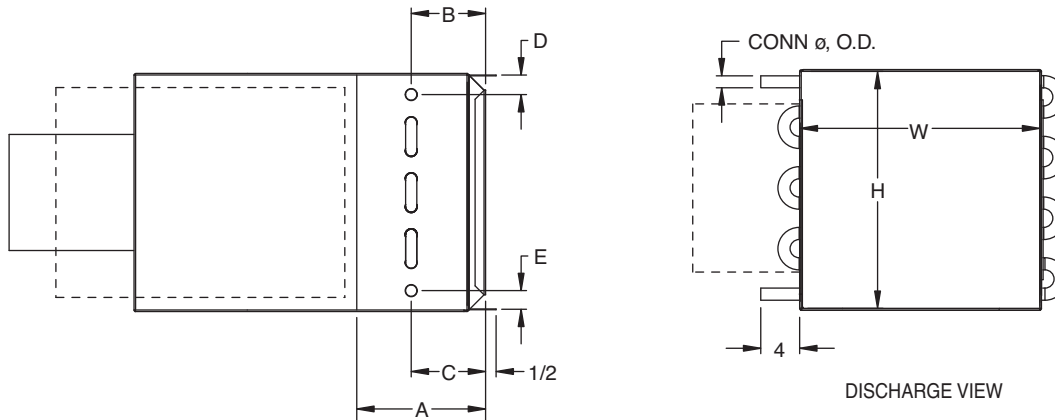


# Anemostat® SUBMITTAL

1220 Watson Center Road • Carson, CA 90745-4206  
 (310) 835-7500 • FAX (310) 835-0448  
 air@anemostat.com • www.anemostat-hvac.com

Model **EZTS / EZTA**  
**SINGLE DUCT**  
**AIR TERMINAL**  
**HOT WATER COIL DETAILS**

## AIR TERMINALS



SIZE	W	H	1 ROW							2 ROW						
			CONN Ø	A	B	C	D	E	VOLUME (GALLONS)	CONN Ø	A	B	C	D	E	VOLUME (GALLONS)
05	10	10	1/2	4-1/2	2	2	7/16	1-1/16	0.080	1/2	5-9/16	3-9/16	2-31/64	7/16	7/16	0.158
06	10	10	1/2	4-1/2	2	2	7/16	1-1/16	0.080	1/2	5-9/16	3-9/16	2-31/64	7/16	7/16	0.158
07	12	10	1/2	4-1/2	2	2	7/16	1-1/16	0.092	1/2	5-9/16	3-9/16	2-31/64	7/16	7/16	0.182
08	12	10	1/2	4-1/2	2	2	7/16	1-1/16	0.092	1/2	5-9/16	3-9/16	2-31/64	7/16	7/16	0.182
09	14	12-1/2	1/2	4-1/2	2	2	7/16	1-1/16	0.129	1/2	5-9/16	3-9/16	2-31/64	7/16	7/16	0.255
10	14	12-1/2	1/2	4-1/2	2	2	7/16	1-1/16	0.129	1/2	5-9/16	3-9/16	2-31/64	7/16	7/16	0.255
12	16	15	7/8	4-1/2	3-3/8	1-39/64	15/16	1-37/64	0.237	1/2	5-9/16	3-9/16	2-31/64	7/16	7/16	0.341
14	20	17-1/2	7/8	4-1/2	3-25/64	1-5/8	15/16	1-37/64	0.321	7/8	5-9/16	3-9/16	2-31/64	15/16	15/16	0.558
16	24	17-1/2	7/8	4-1/2	3-3/8	1-39/64	15/16	1-37/64	0.363	7/8	5-9/16	3-9/16	2-31/64	15/16	15/16	0.572
24x16	38	18	7/8	6	1-3/4	1-3/4	1-1/4	1-1/4	0.453	7/8	6	1-1/2	5	1-1/4	1-1/4	0.928

All dimensions are in inches.

JOB NAME:

SUBMITTED BY: